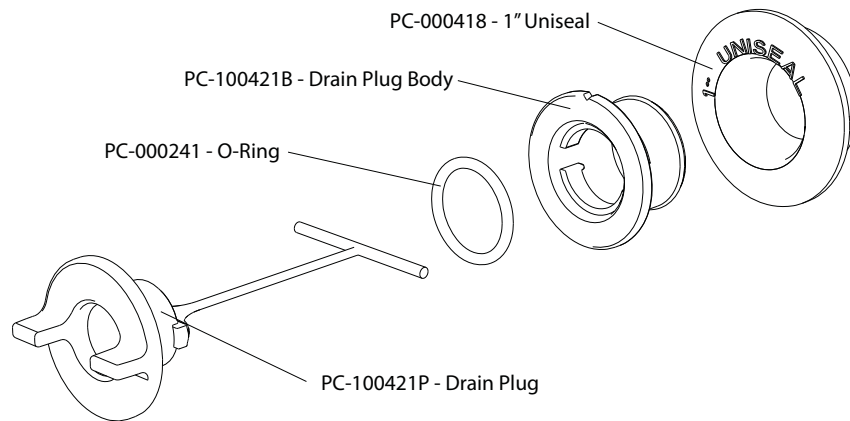


# Drain Plug Replacement Instructions

## General Overview

This drain plug can be used in any holding tank or sink in which a drain is needed. The opening of the drain is almost 4 times larger than the standard 1/2" drain which means that your sink can drain about 4 times faster. This drain can be fitted directly where a 1" drain plug currently is or in any accessible flat spot in a holding tank or sink. It uses a simple quarter turn locking feature which makes draining the sink faster and easier.

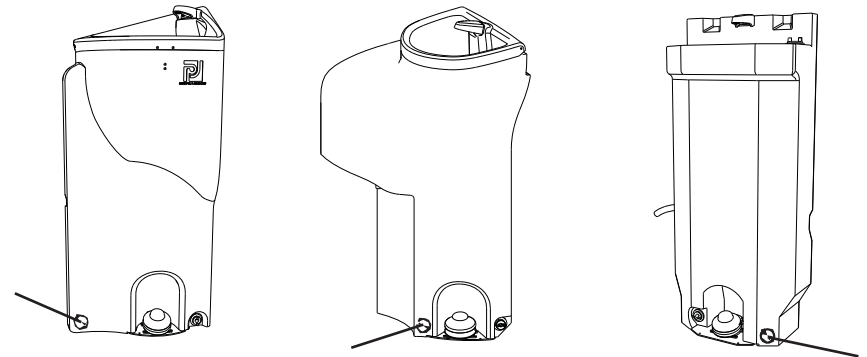


## ~Tools Required~

- Drill with 1-3/4" Hole Saw • Razor Knife

## Installation

**Step 1:** If adding this drain to a sink that currently has a 1/2" drain plug, locate a flat area where there is enough space to put the 1" uniseal (2-1/2' Diameter). The recommended locations for PolyJohn sinks are located below.



**Step 2:** Using a drill with a 1-3/4" hole saw, drill a hole in the location where the new drain plug is to be located. Clean any burrs or shavings off of the edge of the hole.

**Step 2:** If replacing a 1" drain plug as used on the Applause and Bravo sinks, remove the drain plug and drill over the spinweld using a drill with a 1-3/4" hole saw as shown in the picture below. Clean any burrs or shavings off of the edge of the hole. **NOTE: The fresh water drain plug on the Applause sink cannot be replaced with this drain plug.**



### POLYJOHN USA

PolyJohn Enterprises Corp  
2500 Gaspar Ave.  
Whiting, IN 46394  
Phone: 800-292-1305  
Fax: 219-659-0625  
www.polyjohn.com  
info@polyjohn.com

### POLYJOHN WORLDWIDE

PolyJohn (UK) Ltd.  
Equinox 1 Audby Lane  
Wetherby, England LS22 7RD  
Phone: 44 (0) 1937-583333  
Fax: 44 (0) 1937-583322  
sales@polyjohn.co.uk

### POLYJOHN CANADA

PolyJohn Canada  
P.O. Box 2300  
199 Forest Plain Rd.  
Orillia, Ontario LV3 6S2  
Phone: 800-465-9590  
Fax: 705-325-8250  
info@polyjohncanada.ca

## **CLEANING**

Use a mild soap to clean all surfaces and component parts.

For a source of cleaning, deodorizing and paper products contact:

**COOPER'S OWN**

**2500 GASPAR AVE.**

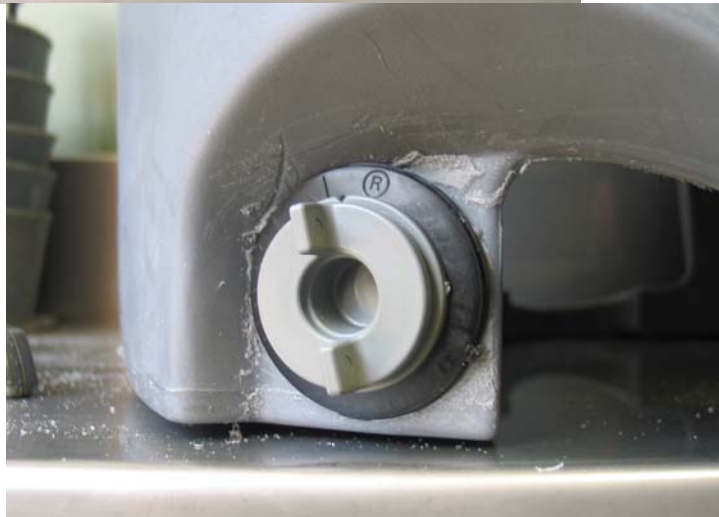
**WHITING, IN 46394-2175**

**800-292-1305 EXTENSION 514**

**[www.polyjohn.com/products/supplies/cooper-s-own](http://www.polyjohn.com/products/supplies/cooper-s-own)**

**Step 3:** Insert the uniseal in the hole. Push the drain plug body into the uniseal. If necessary, apply a bit of dishwashing soap around it and the inside surface of the uniseal to help.

**Step 4:** Making sure the o-ring is in place under the head of the drain plug, insert the drain plug into the body and turn clockwise until snug.



We highly recommend membership in the Portable Sanitation Association International (PSAI); the worldwide authority on portable sanitation services. The PSAI, "Portable Sanitation Industry Certification Program" manual contains a wealth of information on standards and service procedures. For more information contact the PSAI:

PORTABLE SANITATION ASSOCIATION INTERNATIONAL (PSAI)  
7800 METRO PARKWAY, SUITE 104  
BLOOMINGTON, MINNESOTA 55425 USA  
800-822-3020 / 612-854-8300 FAX 612-854-7560  
[www.pesai.org](http://www.pesai.org)

## **MISSION STATEMENT**

"PolyJohn is a family owned, state of the art, plastics manufacturing company dedicated to providing its employees with a work environment committed to excellence, and its customers with innovative products, services and technology that meet or exceed their requirements."

**THANK YOU FOR PURCHASING POLYJOHN PRODUCTS!**

Look for us on the Web @ [www.PolyJohn.com](http://www.PolyJohn.com)